

**Vehicle Type**

MACK, KENWORTH, PETERBILT, WESTERN STAR, FREIGHTLINER

Transmission TypeET-16109 /16110/18109 /18110 /20109 /20110,
ETS-16409 /16410/18409 /18410/20409 /20410,
FTS-16108LL /16109A/18108LL /18109A/20108LL
/20109A RTS-11909A.ET-16113 / 18113 / 20113.
ETS-16413 / 18413/20413 FTS- 16112L / 18112L/20112L RTS-
11912L**Side Housing Options;**

SAE -B - ISO 4 Bolts - UNI 3 Bolts - Flange Pump Housing

Control Type;

Pneumatic

Application;Garbage Truck
Crane Truck
Dump Truck

Vehicle Type FULLER Pneumatic Control Bottom Mounting

FUL.08.16108L.H

Product Code

Transmission Type ET-16109 /16110/18109 /18110 /20109 /20110,ETS-16409 /16410/18409 /18410/20409 /20410, FTS-16108LL /16109A/18108LL /18109A/20108LL/20109A RTS-11909A.ET-16113 / 18113 / 20113. ETS-16413 / 18413/20413 FTS- 16112L / 18112L/20112L RTS- 11912L

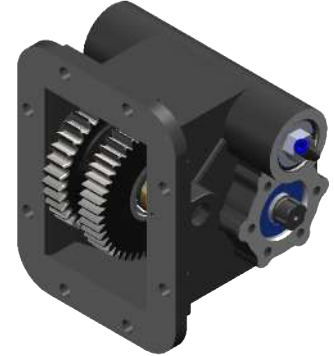
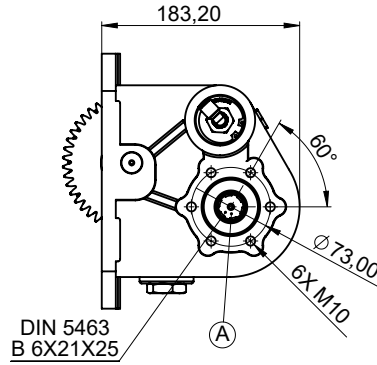
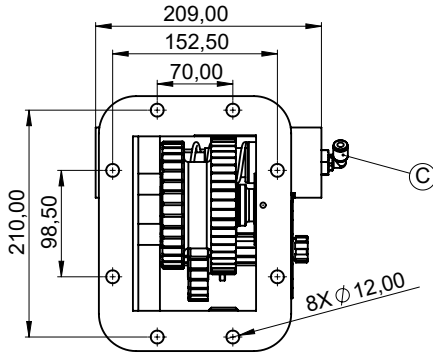
00

22.10.2019

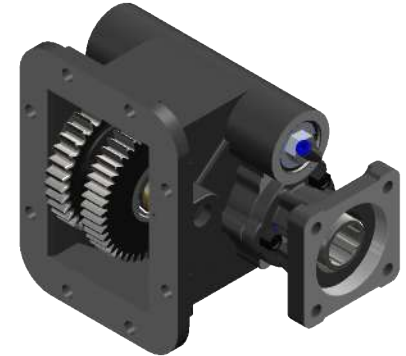
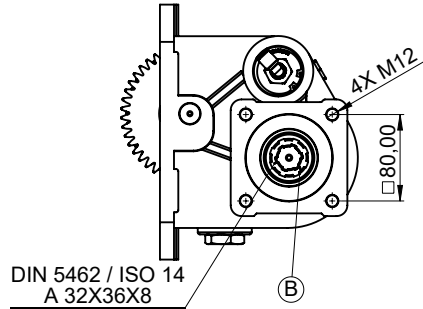
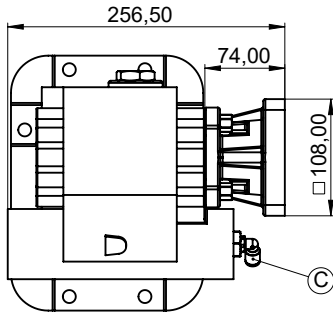
2/3

Rev.No-Date
-Page No

UNI OUTPUT



ISO POMPA ÇIKIŞLI

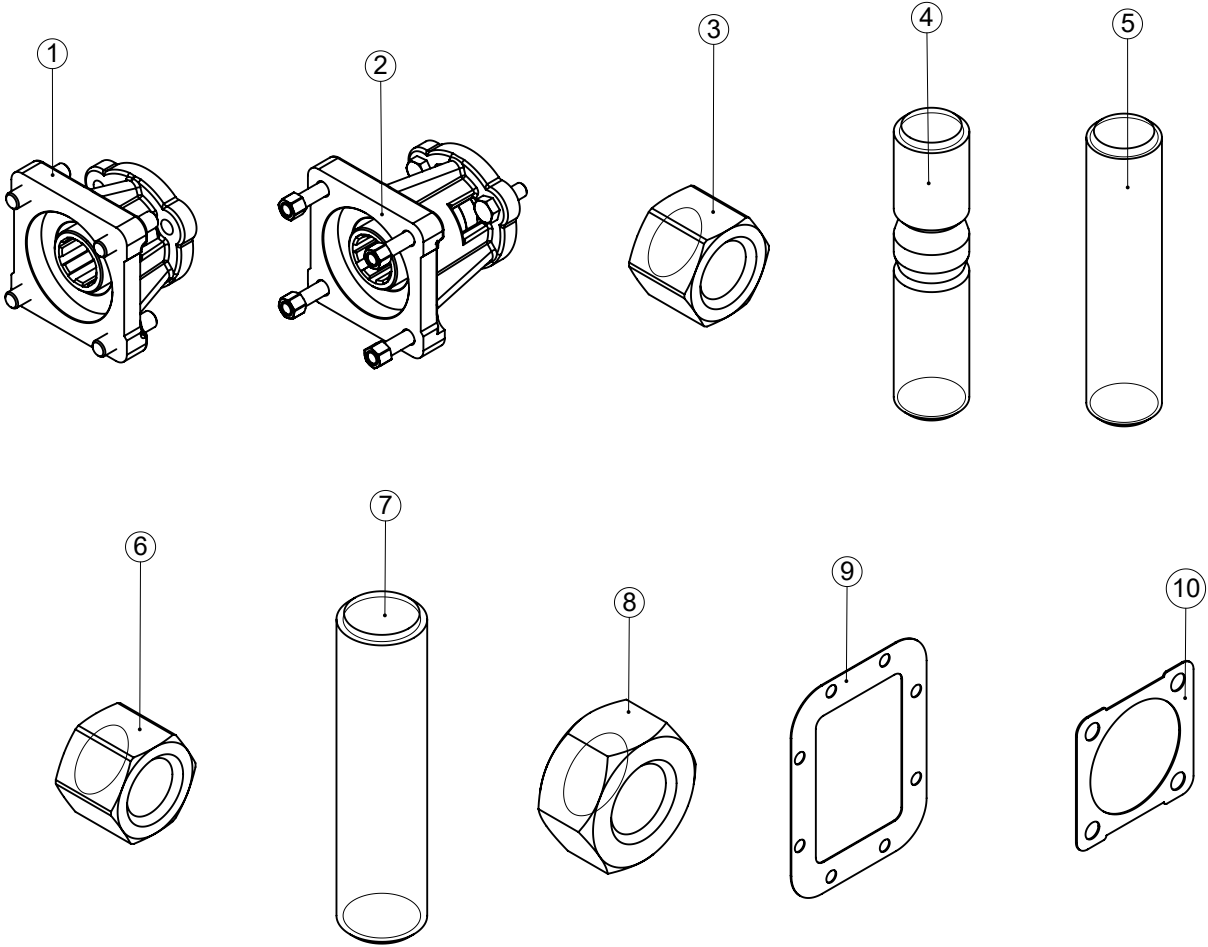


A DIN 5463 6X21X25 UNI 3 Bolts Output

B ISO 14 - DIN 5462 8X32X36 ISO Output

C Air Inlet R 1/8"

	UNI Output	ISO Output	FLANGE Output
Power(kW)@1000 RPM	23	23	
Max. Torque (Nm)	220	220	
Weight (Kg)	18,40	19,60	
Ratio	1,26/1↑		
Mounting Type	Bottom		
Sense Of Rotation	CW		



No	Code	Description	No	Code	Description
1	AKP.PP.2.52	Adapter	9	T04-020	Gasket 1 mm
2	AKP.PP.1	Adapter	10	T04-002	Gasket 1 mm
3	T08-003	M12 Nut	11		
4	T07-003	M12X50 Stud	12		
5	T07-004	M10X45 Stud	13		
6	T08-001	M10X1,5 Nut	14		
7	T07-003	M12X50 Stud	15		
8	T08-006	M12 Nut	16		